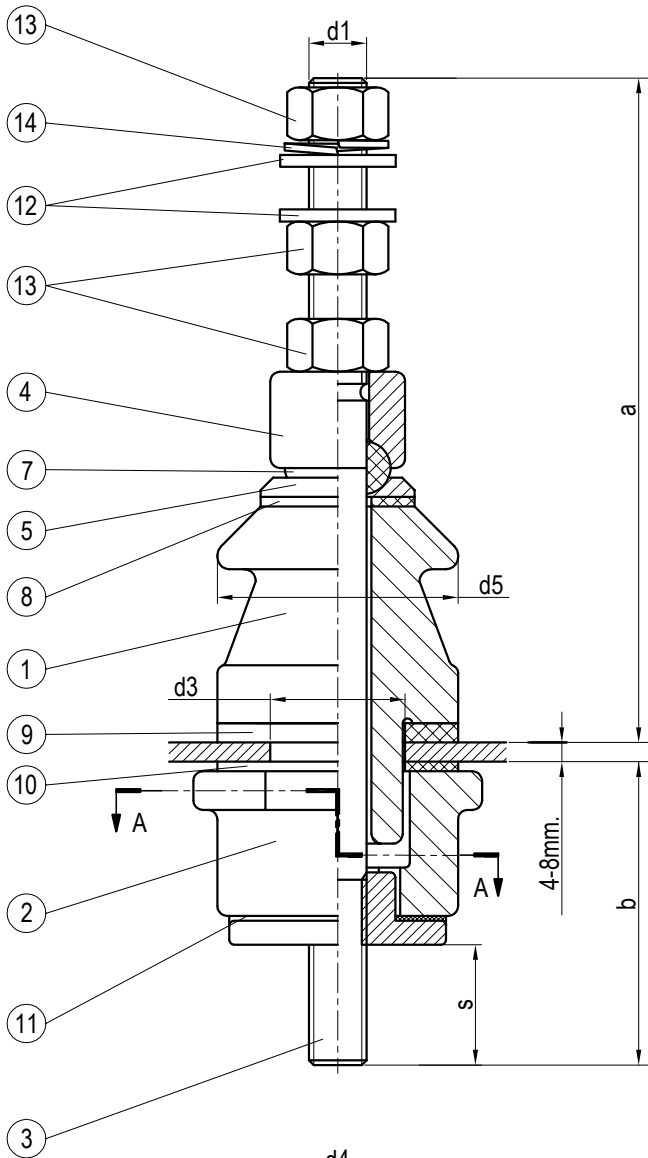


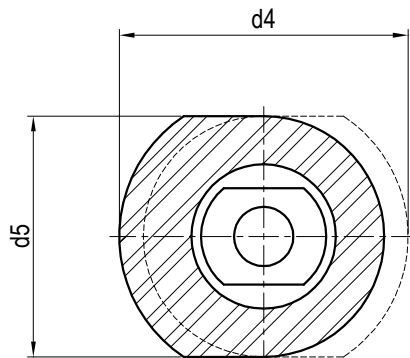
TE TAMAM ELEKTRİK



**complete bushings
(DIN types)**



Pos.	Qty.	Description
1	1	Top Porcelain "A"
2	1	Bottom Porcelain "B"
3	1	Brass Stem & Bottom Part
4	1	Brass Cap "E"
5	1	Brass Washer "G"
7	1	Ring Gasket "J"
8	1	Plain Gasket (M1)
9	1	Flange Gasket (N)
10	1	Internal Gasket (O)
11	1	Internal Gasket (P)
12	2	Brass Washer DIN 125
13	3	Brass Nut ISO 4032
14	1	Spring Washer DIN 127

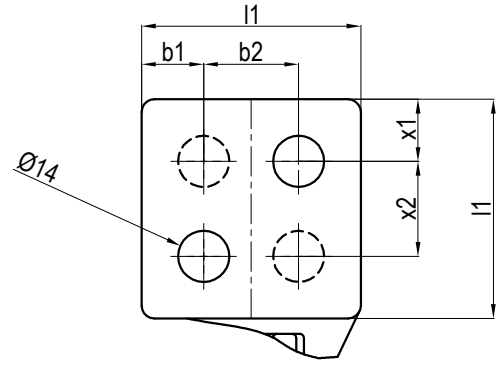
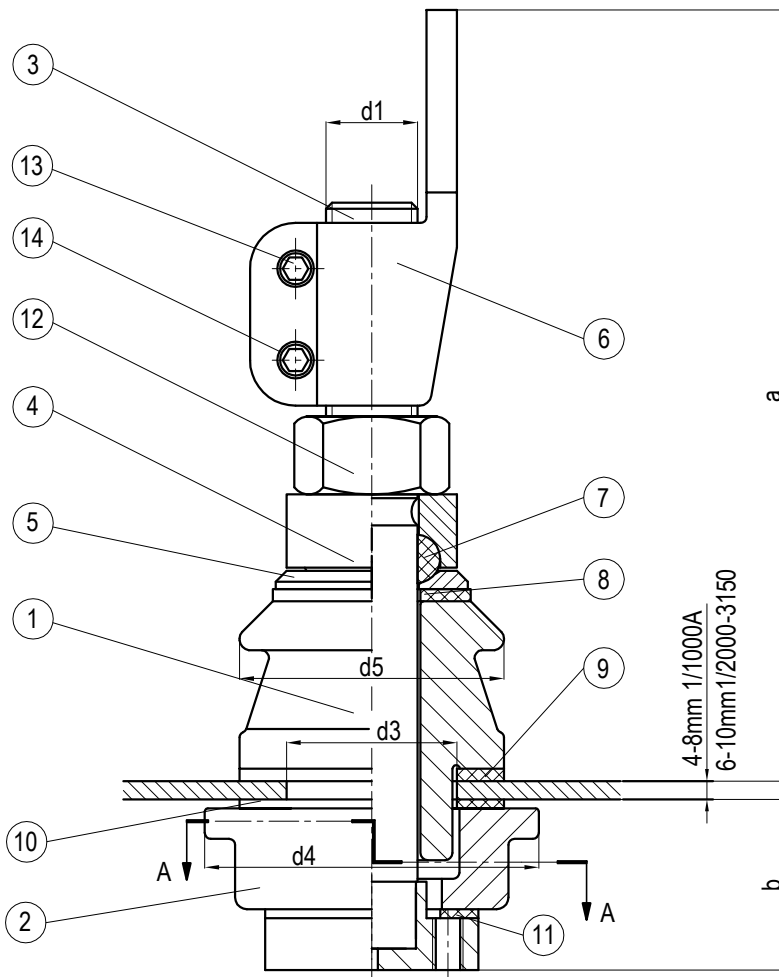


A:A Section

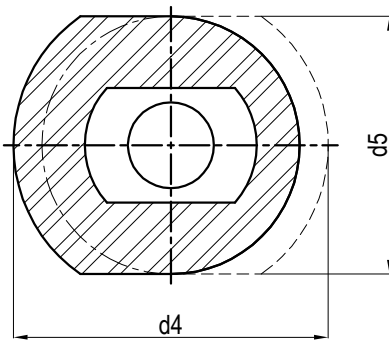
Rated Voltage (kV)	Max. Voltage (kV)	Lightning Impulse (kV)	Power Frequency Withstand (Dry&Wet) (kV)
1	1.1	20	10

- ⊕ Rated Current (A)
- ⊗ Creepage Distance (mm)
- ⊙ Weight (kg)
- Volume (dm³)

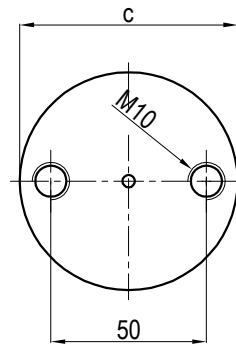
Type	⊕	a max	b max	s ±0,3	d1	d3	d4	d5	⊗	⊙	●
1/250	250	138	68	25	M12	28	60	50	55	0.8	1.7
1/630	630	178	82	37	M20	45	85	70	70	2.2	3.7



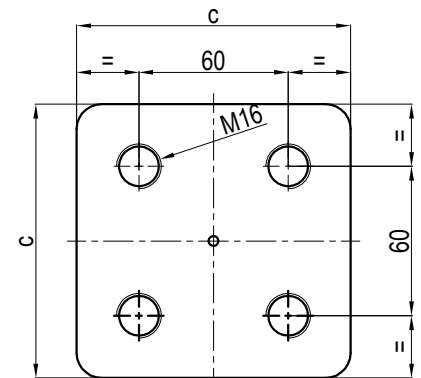
Pos.	Qty.	Description
1	1	Top Porcelain "A"
2	1	Bottom Porcelain "B"
3	1	Copper Stem + Brass Bottom Part
4	1	Brass Cap "E"
5	1	Brass Washer "G"
6	1	Brass Flag DIN 43675-EP
7	1	Ring Gasket "J"
8	1	Plain Gasket (M)
9	1	Flange Gasket (N)
10	1	Internal Gasket (X)
11	1	Internal Gasket (R)
12	1	Brass Nut ISO 4032
13	2	Bolt ISO 4017
14	2	Washer DIN 125



A-A SECTION



1/1000A

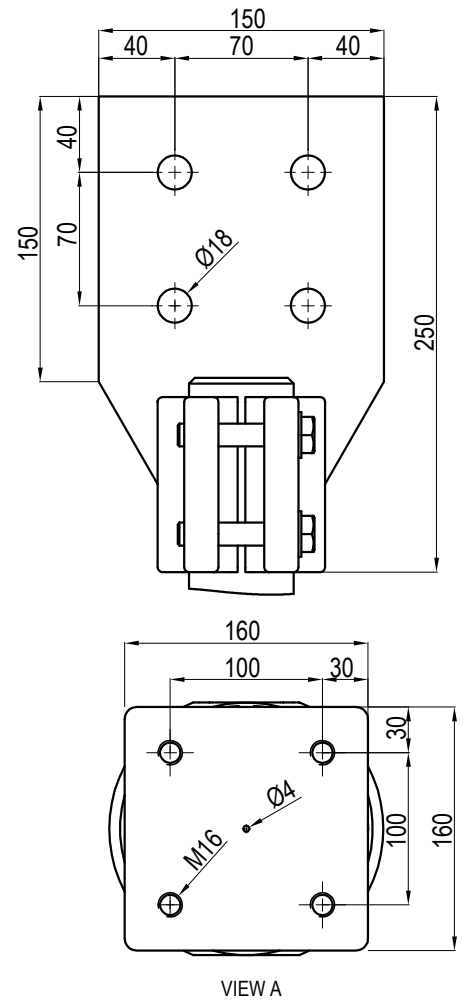
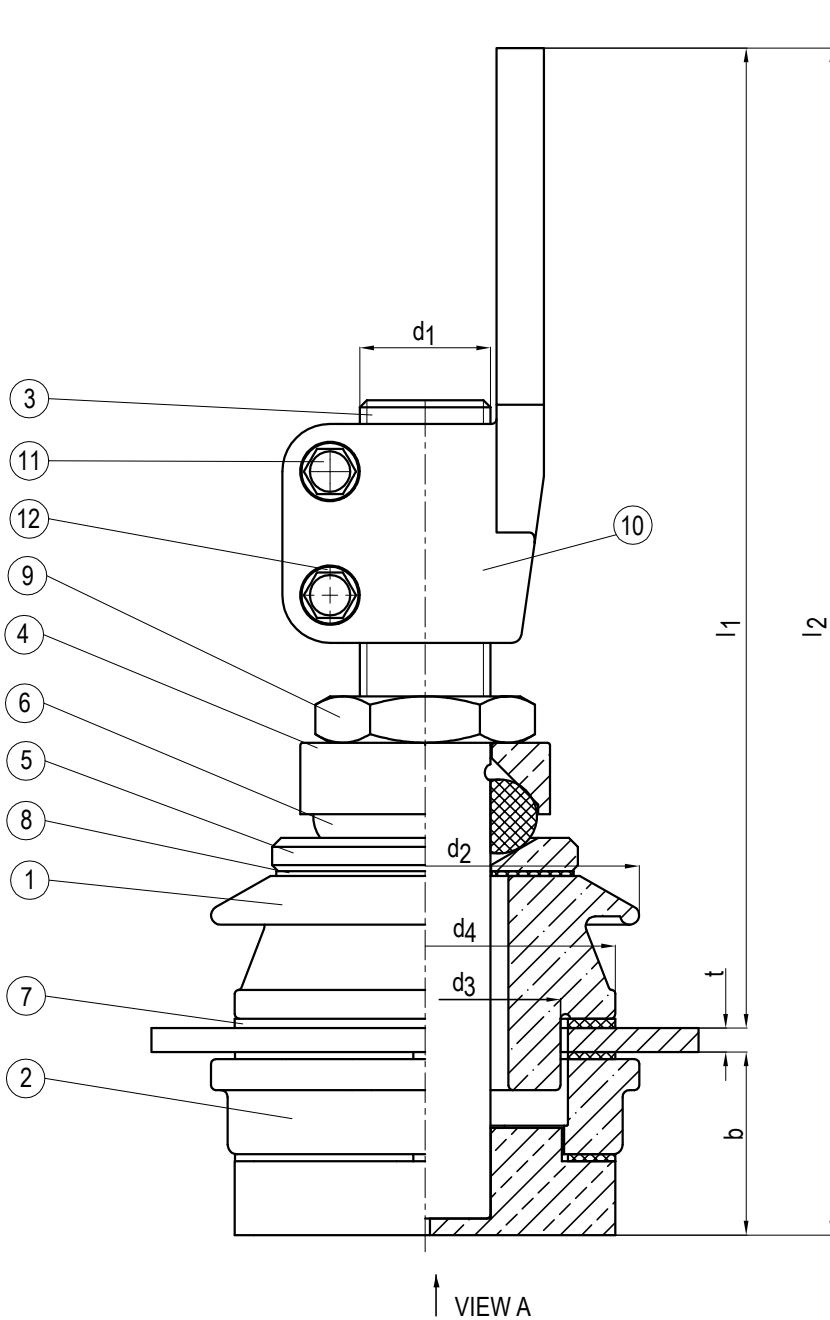


1/2000-3150A

- ⊕ Rated Current (A)
- ⊗ Creepage Distance (mm)
- ⊙ Weight (kg)
- Volume (dm³)

Rated Voltage (kV)	Max. Voltage (kV)	Lightning Impulse (kV)	Power Frequency Withstand (Dry&Wet) (kV)
1	1.1	20	10

Type	⊕	a max	b max	c	d1	d3	d4	d5	x1	x2	b1	b2	l1	⊗	⊙	●
1/1000	1250	259	60	70	M30x2	56	110	90	17	26	17	26	60	75	4,8	6,1
1/2000	2000	340	70	100	M42x3	70	125	104	20	40	25	50	100	75	11	11,5
1/3150	3150	342	70	110	M48x3	90	150	125	20	40	30	60	120	75	15	14

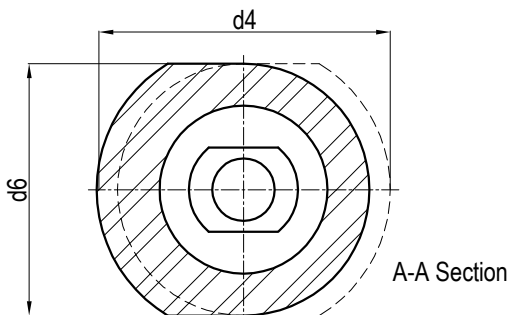
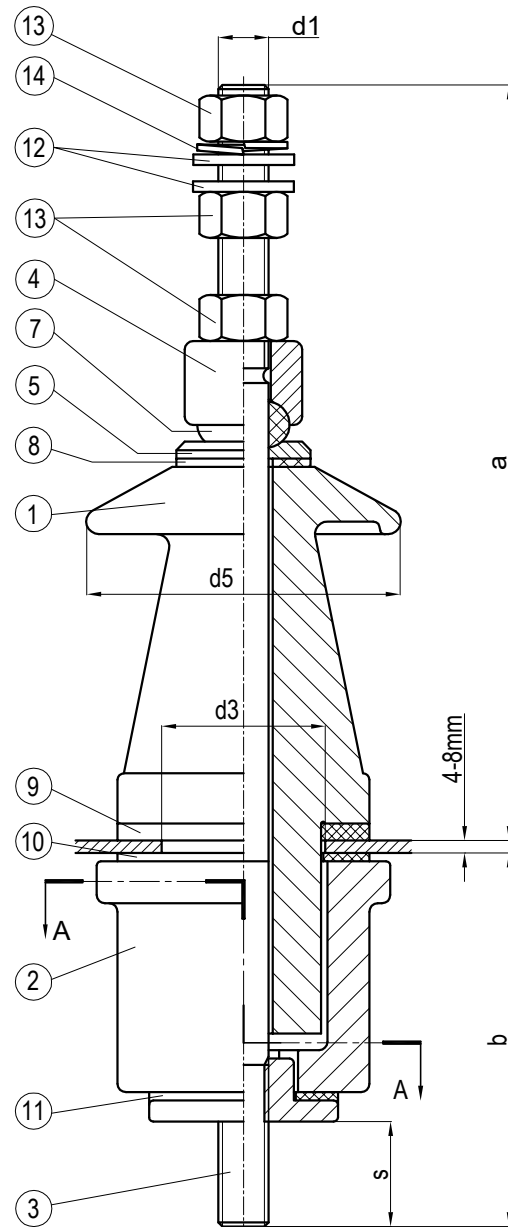


Rated Voltage (kV)	Max. Voltage (kV)	Lightning Impulse (kV)	Power Frequency Withstand (Dry&Wet) (kV)
1	1.1	20	10

Pos.	Qty.	Description
1	1	Top Porcelain
2	1	Bottom Porcelain
3	1	Copper Stem + Brass Bottom Part
4	1	Brass Cap "E"
5	1	Brass Washer "G"
6	1	Ring Gasket "J"
7	1	Flange Gasket (N)
8	1	Flange Gasket (M)
9	1	Brass Lock Nut
10	1	Brass Flag DIN 43675-FP
11	2	Bolt ISO 4017
12	2	Washer DIN 125

⊕ Rated Current (A) ⊗ Creepage Distance (mm) ● Weight (kg)

Type	⊕	l ₁ max.	l ₂ min.	t max.	s	d ₄	d ₁	d ₂ max.	d ₃ ⁺² ₀	⊗	●
1/4500	4500	412	499	12	77	160	M55x3	180	118	85	29

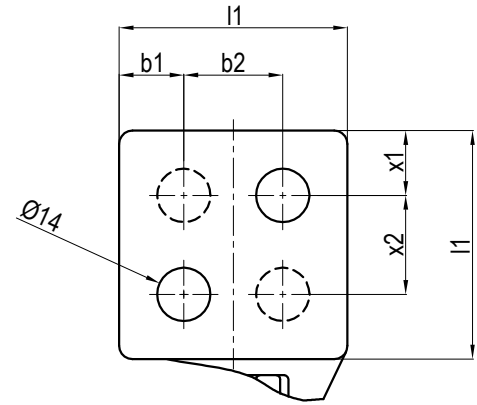
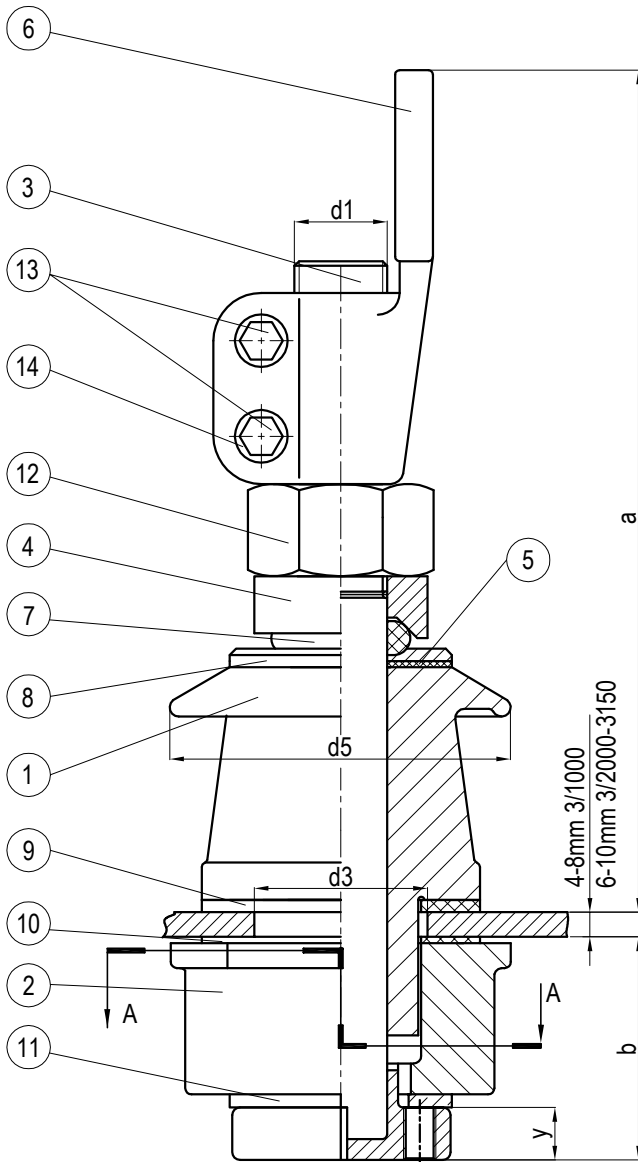


Pos.	Qty.	Description
1	1	Top Porcelain "A"
2	1	Bottom Porcelain "B"
3	1	Brass Stem & Bottom Part
4	1	Brass Cap "E"
5	1	Brass Washer "G"
7	1	Ring Gasket "J"
8	1	Plain Gasket (M)
9	1	Flange Gasket (N)
10	1	Internal Gasket (O)
11	1	Internal Gasket (P)
12	2	Brass Contact Washer DIN 125
13	3	Brass Nut ISO 4032
14	1	Spring Washer DIN 127

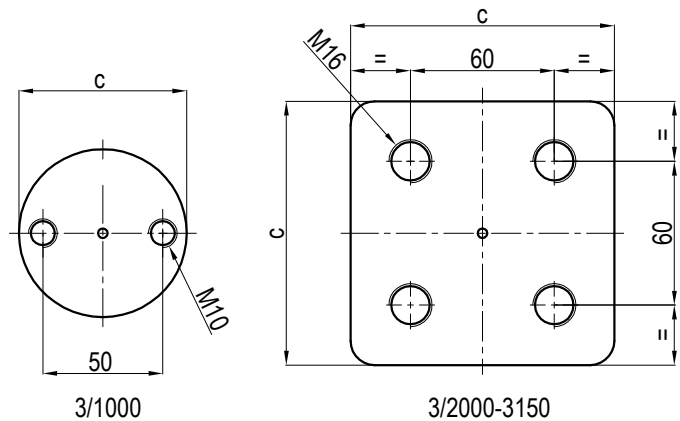
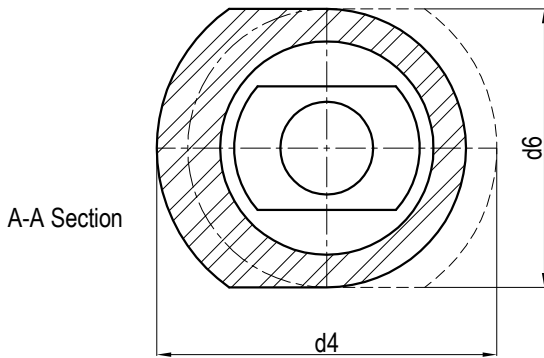
Rated Voltage (kV)	Max. Voltage (kV)	Lightning Impulse (kV)	Power Frequency Withstand (kV)	
			Dry	Wet
3	3.6	40	11	10

- ⊕ Rated Current (A)
- ⊗ Creepage Distance (mm)
- ⊙ Weight (kg)
- Volume (dm³)

Type	⊕	a max	b max	s	d1	d3	d4	d5	⊗	⊙	●
3/250	250	175	95	25	M12	39	70	75	120	1,0	2,7
3/630	630	210	106	37	M20	45	85	90	120	2,5	4,8



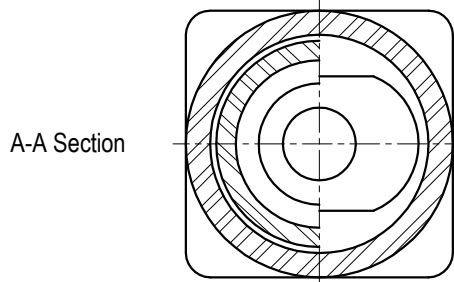
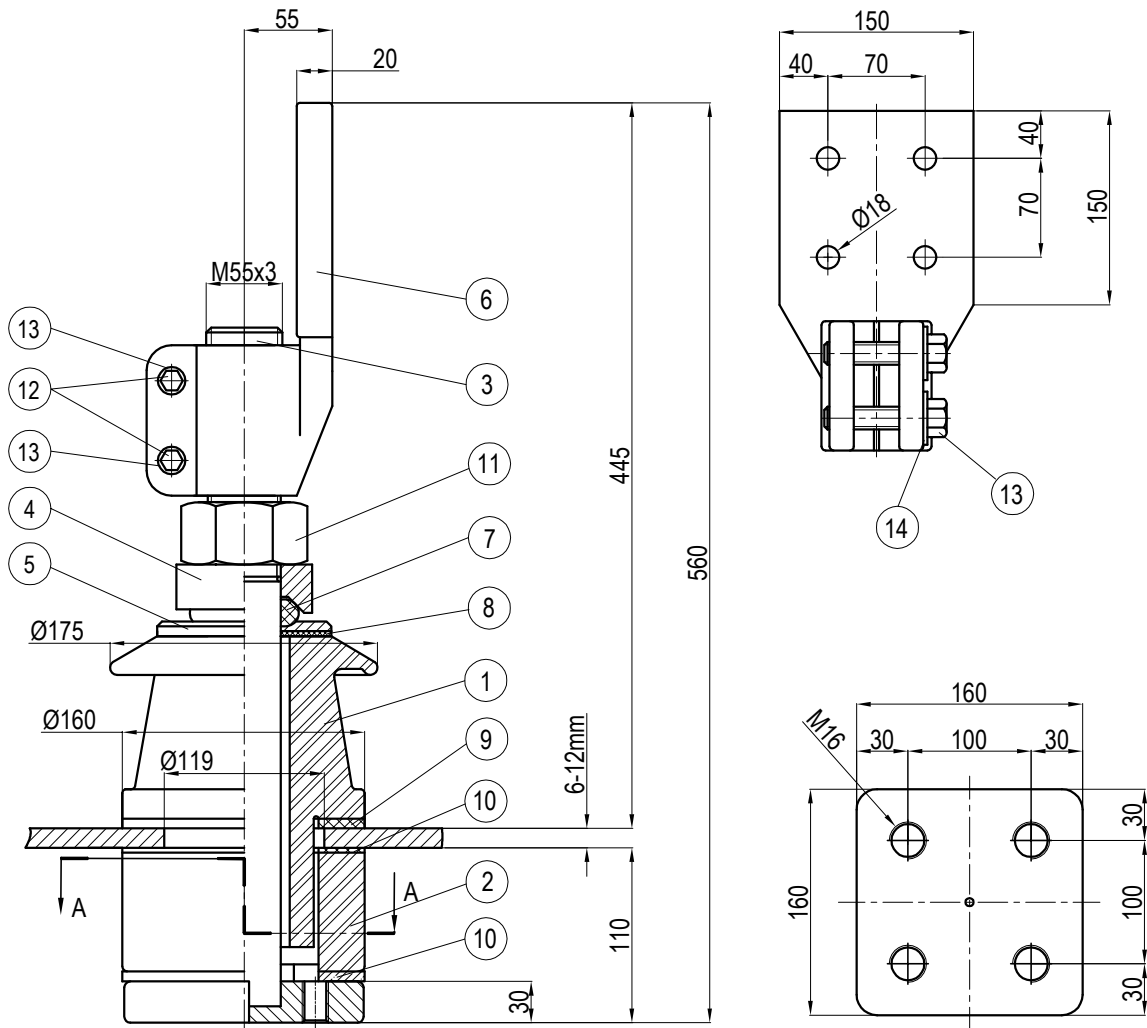
Pos.	Qty.	Description
1	1	Top Porcelain "A"
2	1	Bottom Porcelain "B"
3	1	Copper Stem + Brass Bottom Part
4	1	Brass Cap "E"
5	1	Brass Washer "G"
6	1	Brass Flag DIN 43675 (FP)
7	1	Ring Gasket "J"
8	1	Plain Gasket (M)
9	1	Flange Gasket (N)
10	1	Internal Gasket (X)
11	1	Internal Gasket (R)
12	1	Brass Nut ISO 4032
13	2	Bolt ISO 4017
14	2	Washer DIN 125



Rated Voltage (kV)	Max. Voltage (kV)	Lightning Impulse (kV)	Power Frequency Withstand (kV)	
			Dry	Wet
3	3.6	40	11	10

- ⊕ Rated Current (A)
- ⊗ Creepage Distance (mm)
- ⊙ Weight (kg)
- Volume (dm³)

Type	⊕	a max	b max	c	y	d1	d3	d4	d5	x1	x2	b1	b2	l1	⊗	⊙	●
3/1000	1250	288	80	70	17	M30x2	56	110	110	17	26	17	26	60	125	6	8
3/2000	2000	372	86	100	22	M42x3	70	125	125	20	40	25	50	100	125	13	15
3/3150	3150	390	90	110	27	M48x3	90	150	145	20	40	30	60	120	125	18	20

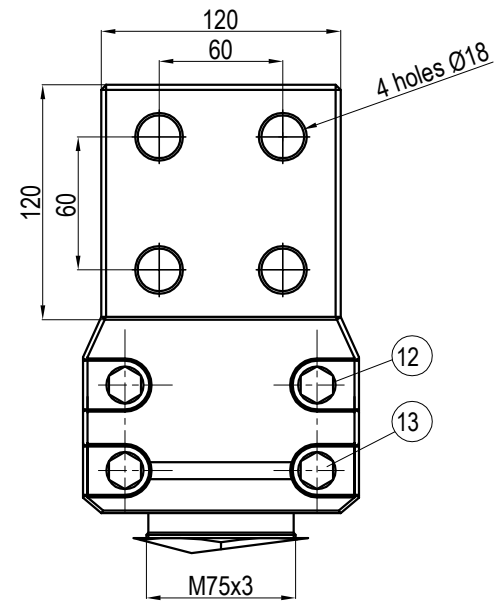
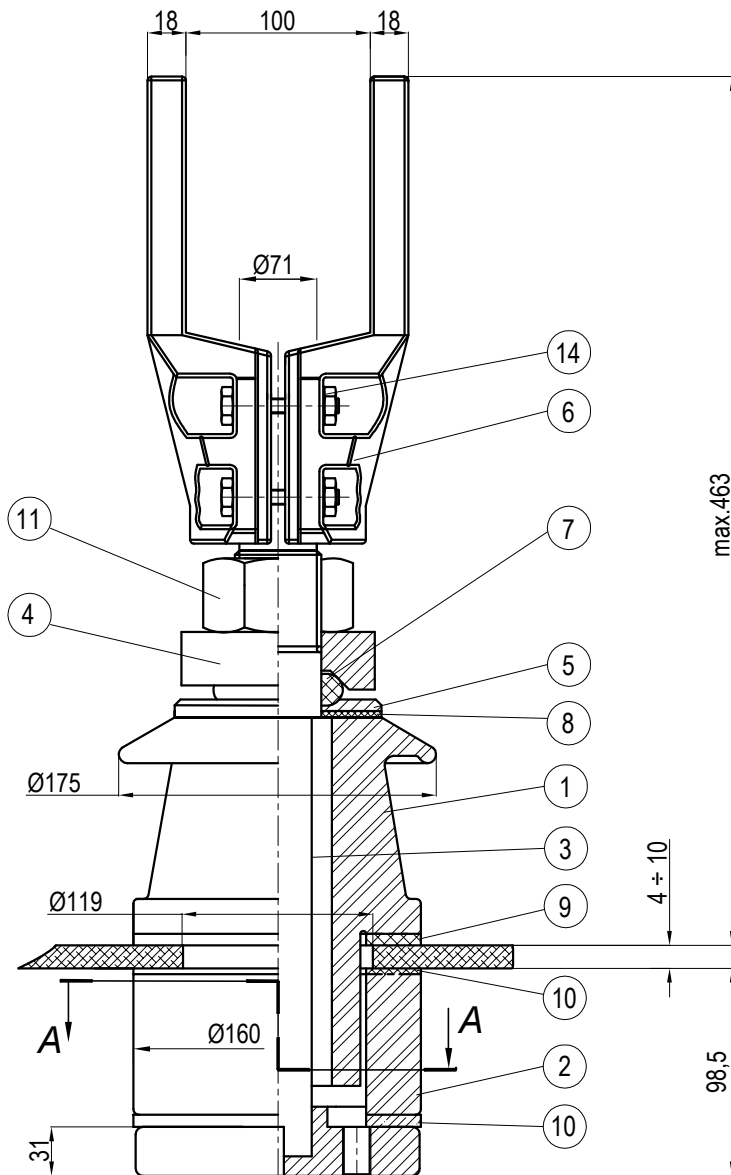


Rated Voltage (kV)	Max. Voltage (kV)	Lightning Impulse (kV)	Power Frequency Withstand (kV)	
			Dry	Wet
3	3.6	40	11	10

Pos.	Qty.	Description	Pos.	Qty.	Description
1	1	Top Porcelain "A"	9	1	Flange Gasket "N"
2	1	Bottom Porcelain "B"	10	2	Internal Gasket "X"
3	1	Copper Stem + Brass Bottom Part	11	1	Brass Nut ISO 4032
4	1	Brass Cap "E"	12	2	Bolt ISO 4017
5	1	Brass Washer "G"	13	2	Washer
6	1	Brass Flag DIN 43675 (FP)			
7	1	Ring Gasket "J"			
8	1	Plain Gasket "M"			

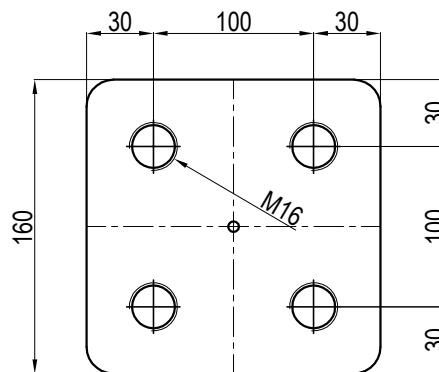
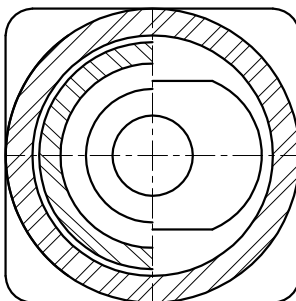
- ⊕ Rated Current (A)
- ⊗ Creepage Distance (mm.)
- ⊙ Weight (kg)
- Volume (dm³)

Type	⊕	⊗	⊙	●
3/4500	4500	130	32	30



Pos.	Qty.	Description
1	1	Top Porcelain
2	1	Bottom Porcelain
3	1	Copper Stem + Brass Bottom Part
4	1	Brass Cap "E"
5	1	Brass Washer "G"
6	1	Brass Flag
7	1	Ring Gasket "J"
8	1	Flange Gasket "M"
9	1	Flange Gasket "N"
10	2	Flange Gasket "X"
11	1	Brass Nut ISO 4032
12	4	Spring Washer M12
13	4	Bolt M12x80
14	4	Nut M12

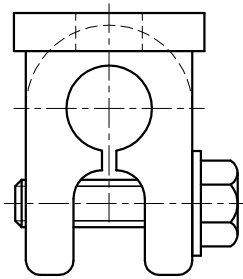
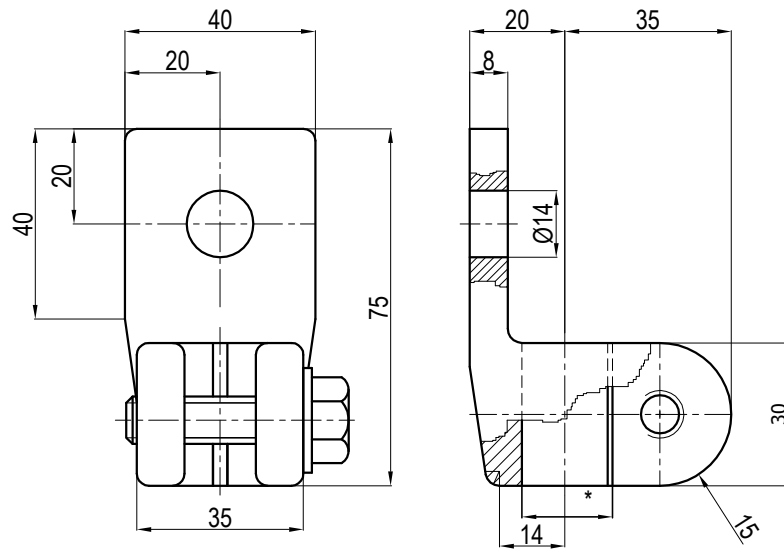
SECTION A-A



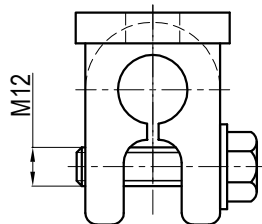
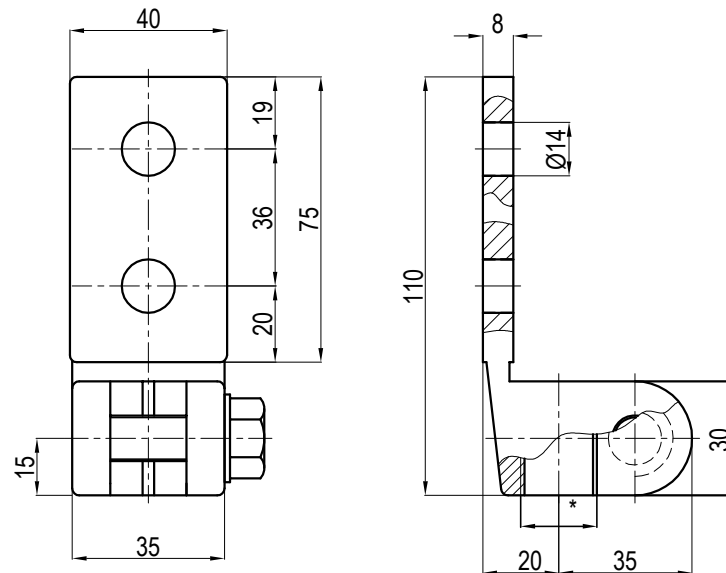
Type			
3/6300	6300	140	42

- Rated Current (A)
- Creepage Distance (mm)
- Weight (kg)

Rated Voltage (kV)	Max. Voltage (kV)	Lightning Impulse (kV)	Power Frequency Withstand (kV)	
			Dry	Wet
3	3.6	40	11	10

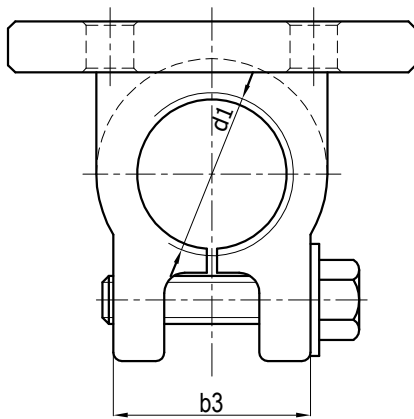
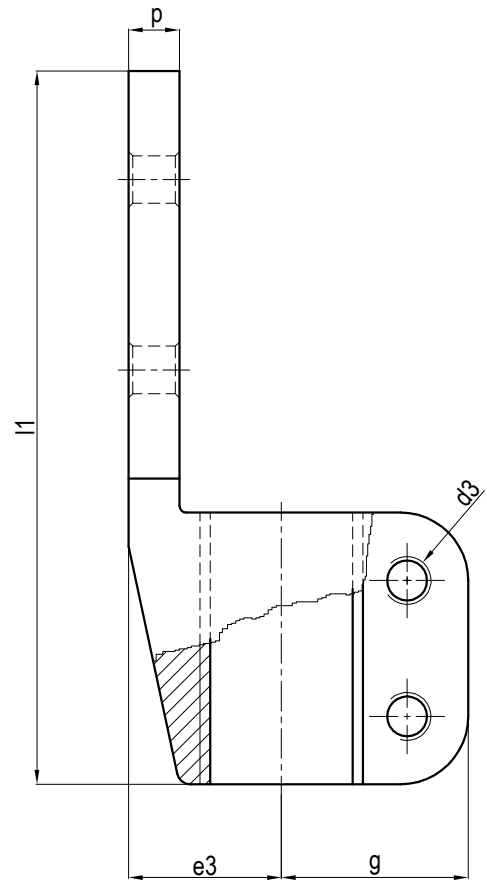
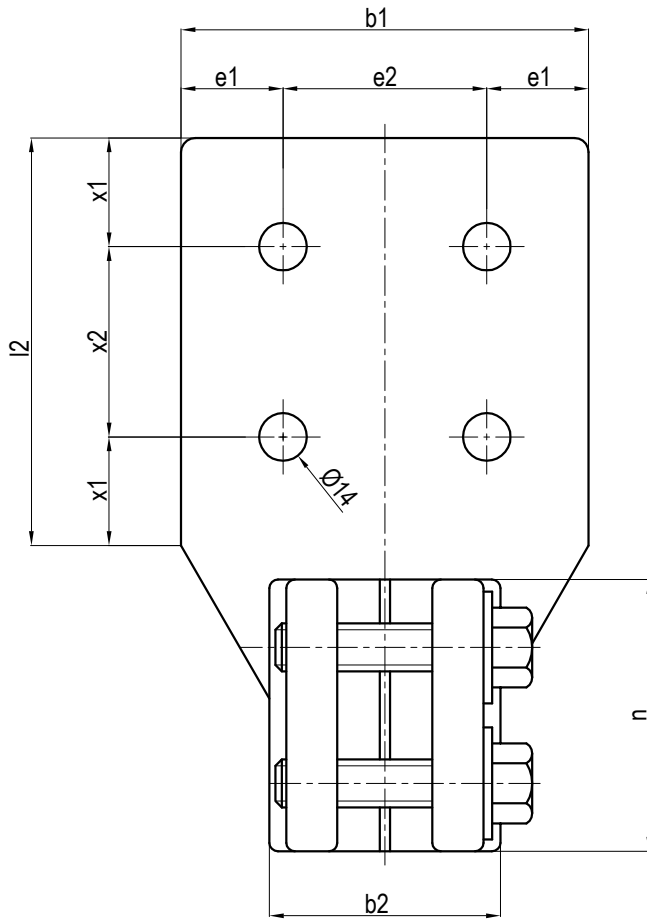


Brass Flag DIN 43675 "DP"
Material: Brass (CuZn40Pb2)



Brass Flag (modified) "AP-EL"
Material: Brass (CuZn40Pb2)

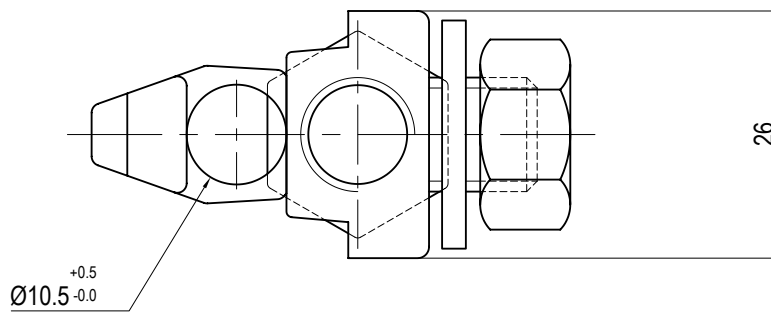
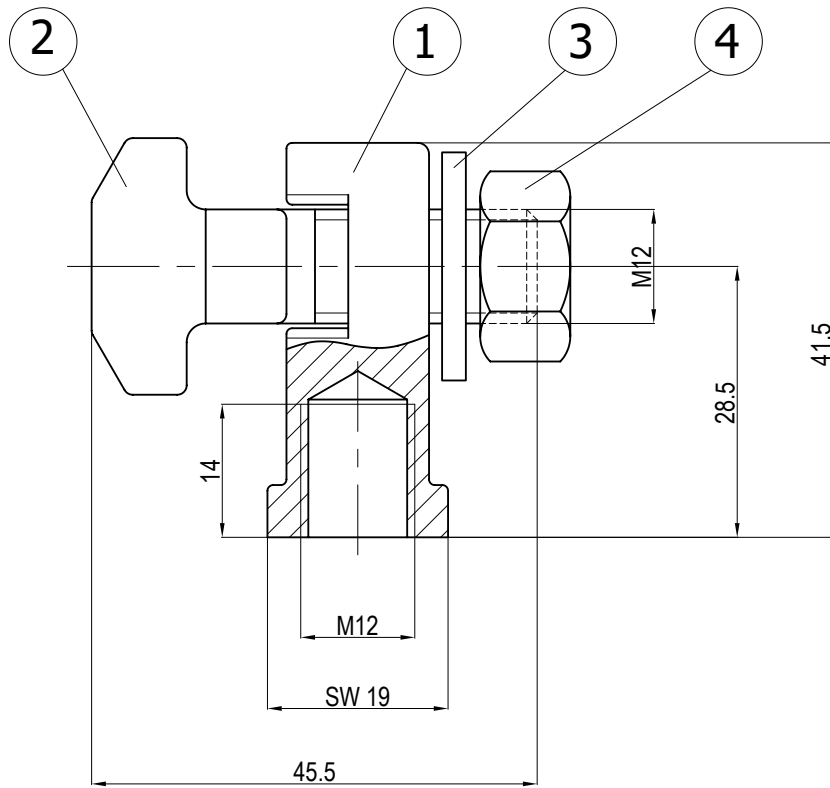
* M12 For DP 250A BUSHINGS
M20 For DP 630A BUSHINGS



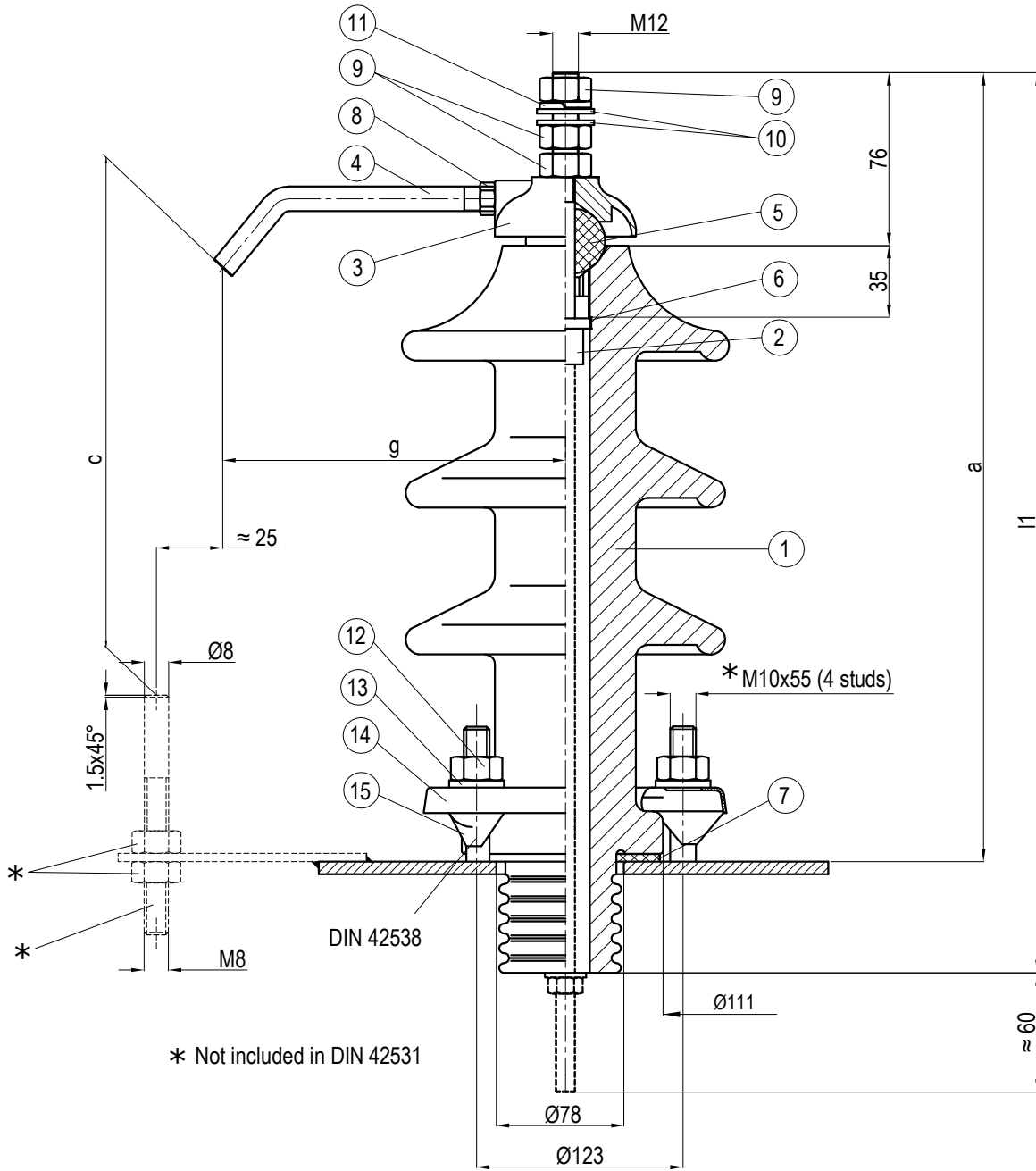
Z: Nr. of holes (Ø14)

Material: Brass (Cu Zn 40 Pb2)

Type	b1	b2	b3	d1	d3	e1	e2	e3	g	l1	l2	n	p	x1	x2	z
EP 1000	60	45	36	M30x2	M10	17	26	28	40	130	60	60	10	17	26	2
FP 2000	100	58	45	M42x3	M12	25	50	40	55	190	100	80	15	20	40	4
FP 3150	120	68	58	M48x3	M12	30	60	45	55	210	120	80	15	20	40	4



Pos.	Description	Material
1	Terminal Body M12	Brass
2	Eye Bolt Ø10	Brass
3	Flat Washer	Brass
4	Nut M12	Brass



Type	Class		a	c	g	l1	⊗	# S
	Outdoor (f)	Indoor (i)						
10 Ni 250	-	10 N	260	85	135	321	170	2
10 Nf 250	10 N	-	310	85	150	371	305	2
20 Ni 250	-	20 N	310	155	135	371	305	2
20 Nf 250	20 N	-	385	155	150	461	450	3
30 Ni 250	-	30 N	385	220	135	461	450	3
30 Nf 250	30 N	-	485	220	170	561	600	4

Type	Rated Voltage (kV)	Max. Voltage (kV)	Lightning Impulse (kV)	Power Frequency Withstand (kV)	
				Dry	Wet
10 Ni/Nf	10	12	75	30	28
20 Ni/Nf	20	24	125	55	50
30 Ni/Nf	30	36	170	77	70

⊗ : Creepage Distance (mm)

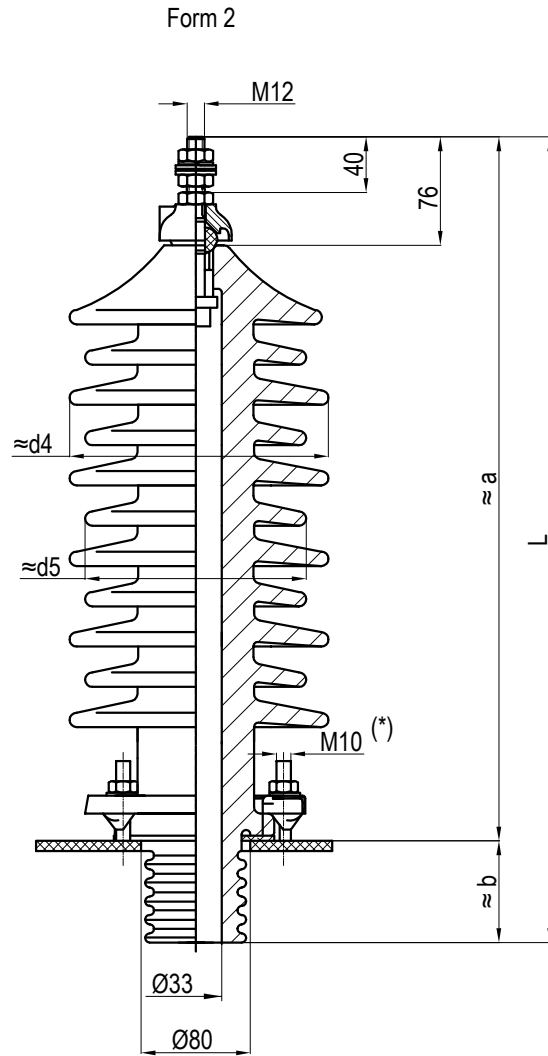
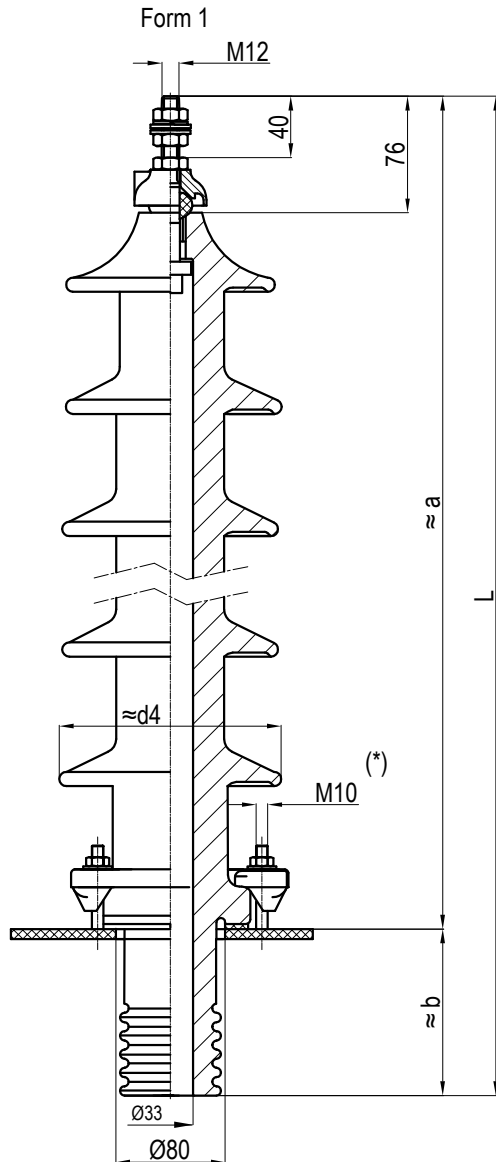
S : Number of Sheds

Pos.	Qty. for						Material Description	Designation
	Type 10Ni	Type 10Nf	Type 20Ni	Type 20Nf	Type 30Ni	Type 30Nf		
1	1	-	-	-	-	-	Porcelain	10 Ni DIN 42531
	-	1	1	-	-	-		10 Nf DIN 42531
	-	-	-	1	1	-		20 Nf DIN 42531
	-	-	-	-	-	1		30 Nf DIN 42531
2	1	1	1	1	1	1	Connection Bolt	"D" DIN 42531
3	1	1	1	1	1	1	Brass Cap	"E" DIN 42531
4	1	-	1	-	1	-	Top Arcing Horn	K1 DIN 42531
	-	1	-	1	-	-		K2 DIN 42531
	-	-	-	-	-	1		K3 DIN 42531
5	1	1	1	1	1	1	Ring Gasket	"J" DIN 42531
6	1	1	1	1	1	1	Internal Gasket	"O" DIN 42531
7	1	1	1	1	1	1	Flange Gasket	"N" DIN 42531
8	1	1	1	1	1	1	Steel Nut	M8 ISO 4032-5
9	3	3	3	3	3	3	Brass Nut	M12 ISO 4032 Ms
10	2	2	2	2	2	2	Brass Washer	13 DIN 125-Ms
11	1	1	1	1	1	1	Spring Washer	12 DIN 43699
12	4	4	4	4	4	4	Steel Nut	M10 ISO 4032-5
13	4	4	4	4	4	4	Steel Washer	10,5 DIN 125
14	1	1	1	1	1	1	Fixing Ring	"A" DIN 42538
15	4	4	4	4	4	4	Alu-Clamping	"E" DIN 42538

ORDERING SYSTEM

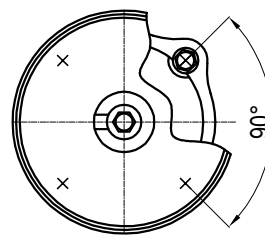
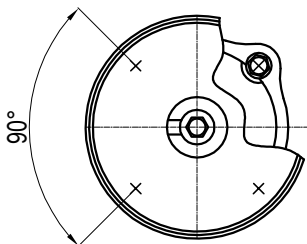
- 1) When ordering, products should be described according to DIN Norm designation.
Example: 20kV, 250A, outdoor type high voltage bushing designation is DT 20 NF DIN 42531
- 2) In addition to the above designation, the following component options should be indicated by the customer;
 - Gasket materials (Cork, Organic Fiber, NBR rubber, Presspaper)
 - Steel parts (Stainless Steel, Metal plated)
 - Additional requirements not included in DIN Norm (Bottom-arcing horn and related fixing parts, additional welded extension stud)
 - Additional plating of brass and copper parts (Tin, Silver)
 - Main connection bolt (D-Bolt) material (Brass, Copper)
 - Diameter of the bottom hole of the main bolt
- 3) If the above options are not indicated by the customer, the product DIN 42531 will be supplied with the following standard properties;
 - Cork gaskets
 - Steel parts are zinc plated
 - Without bottom-arcing horn and related fixing parts and without welded extension stud
 - Brass main bolt
 - Bottom hole diameter of the main bolt is $\varnothing 5$ mm

Types: 720 / 990 / 1260 / 1320 / 1380 / 1650



Types: 1320-2 / 1320-2U / 1380-2 / 1380-3

(*) Studs M10x55 on Ø123



Type	Rv	Mv	a	b	L	d4	d5	⊗	# S
30/250-720	30	36	485	76	561	170	-	720	5
30/250-990	30	36	536	96	632	190	-	990	6
30/250-1260	30	36	545	77	622	175	-	1260	10
30/250-1320	30	36	575	91	666	180	-	1320	11
30/250-1320-2	30	36	460	91	551	200	180	1320	11
30/250-1320-2U	30	36	460	186	646	200	180	1320	11
30/250-1380	30	36	525	91	616	185	-	1380	10
30/250-1380-2	30	36	460	91	551	200	180	1380	11
30/250-1380-3	30	36	460	126	586	200	180	1380	11
30/250-1650	30	36	645	96	741	185	-	1650	13

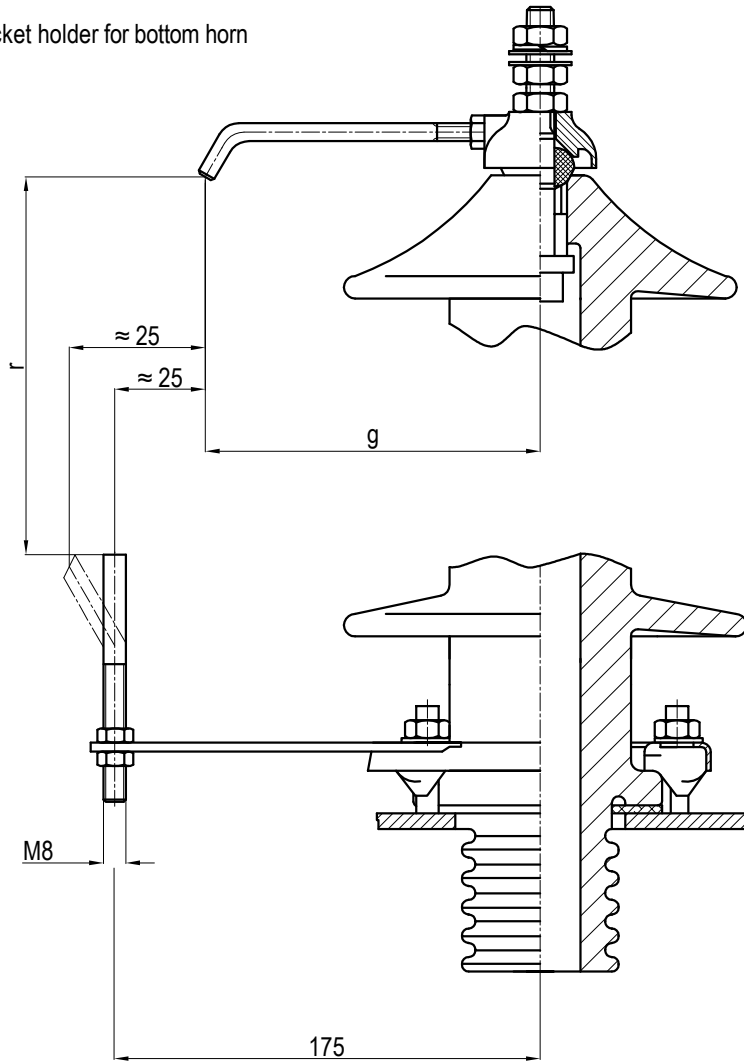
Rv : Rated voltage (kV)

Mv : Max. voltage (kV)

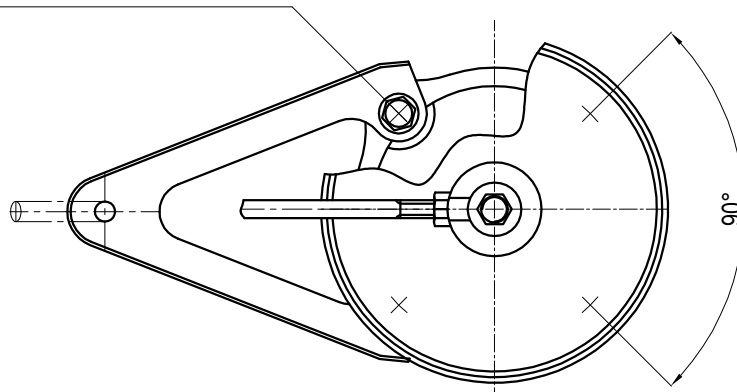
⊗ : Creepage Distance (mm)

S : Number of Sheds

Arcing horns with "V" bracket holder for bottom horn



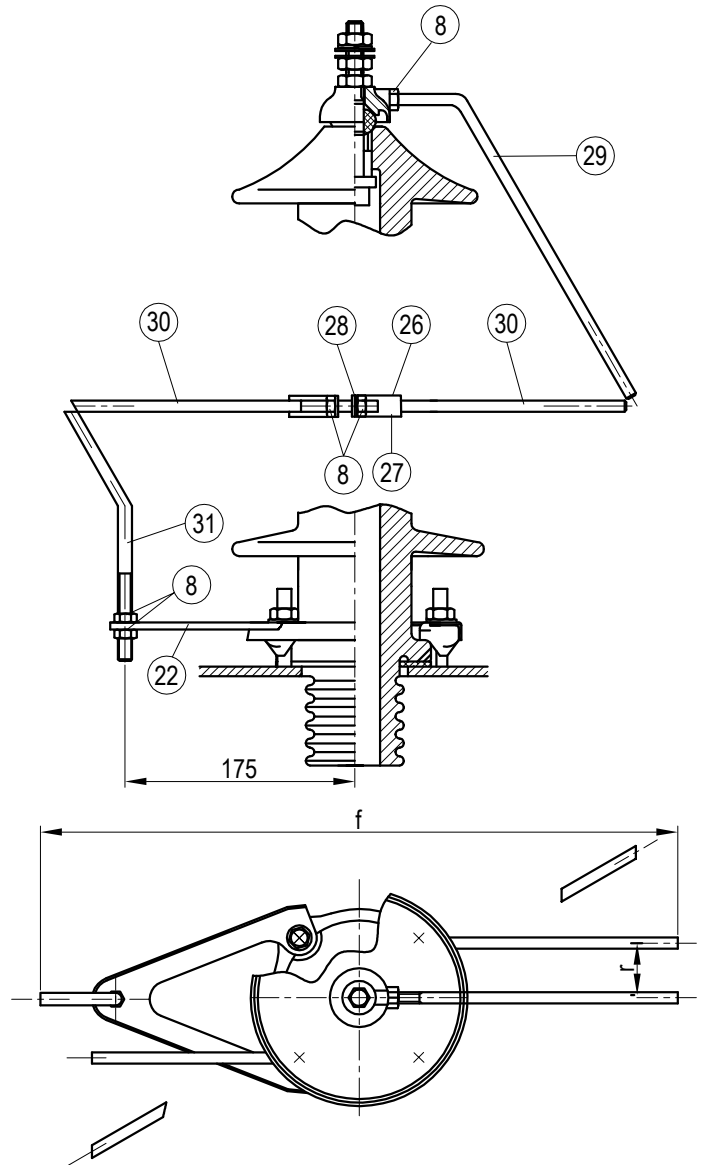
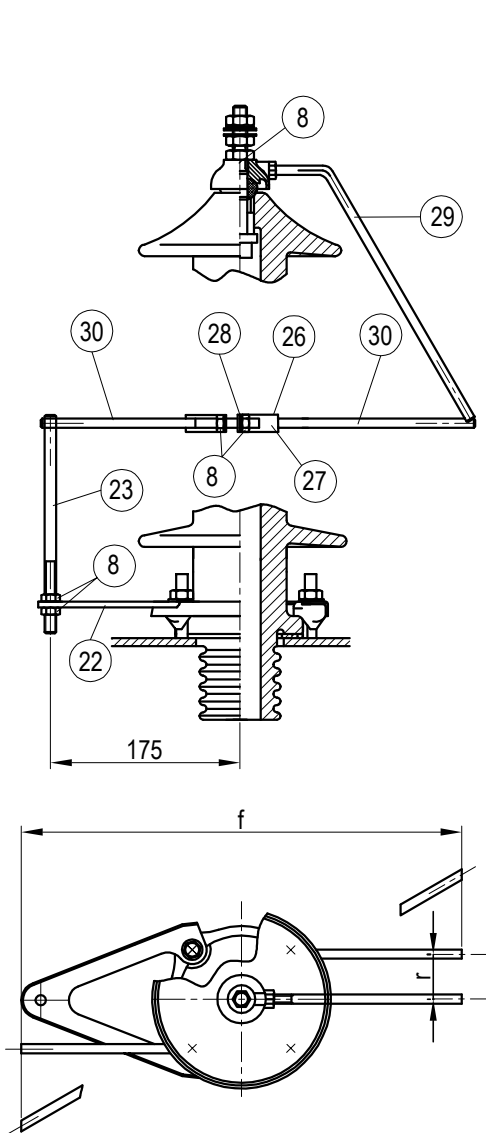
4 Studs M10x55 on Ø123



Type	r	g
10 Nf/250	85	150
20 Nf/250	155	150
30 Nf/250	220	170

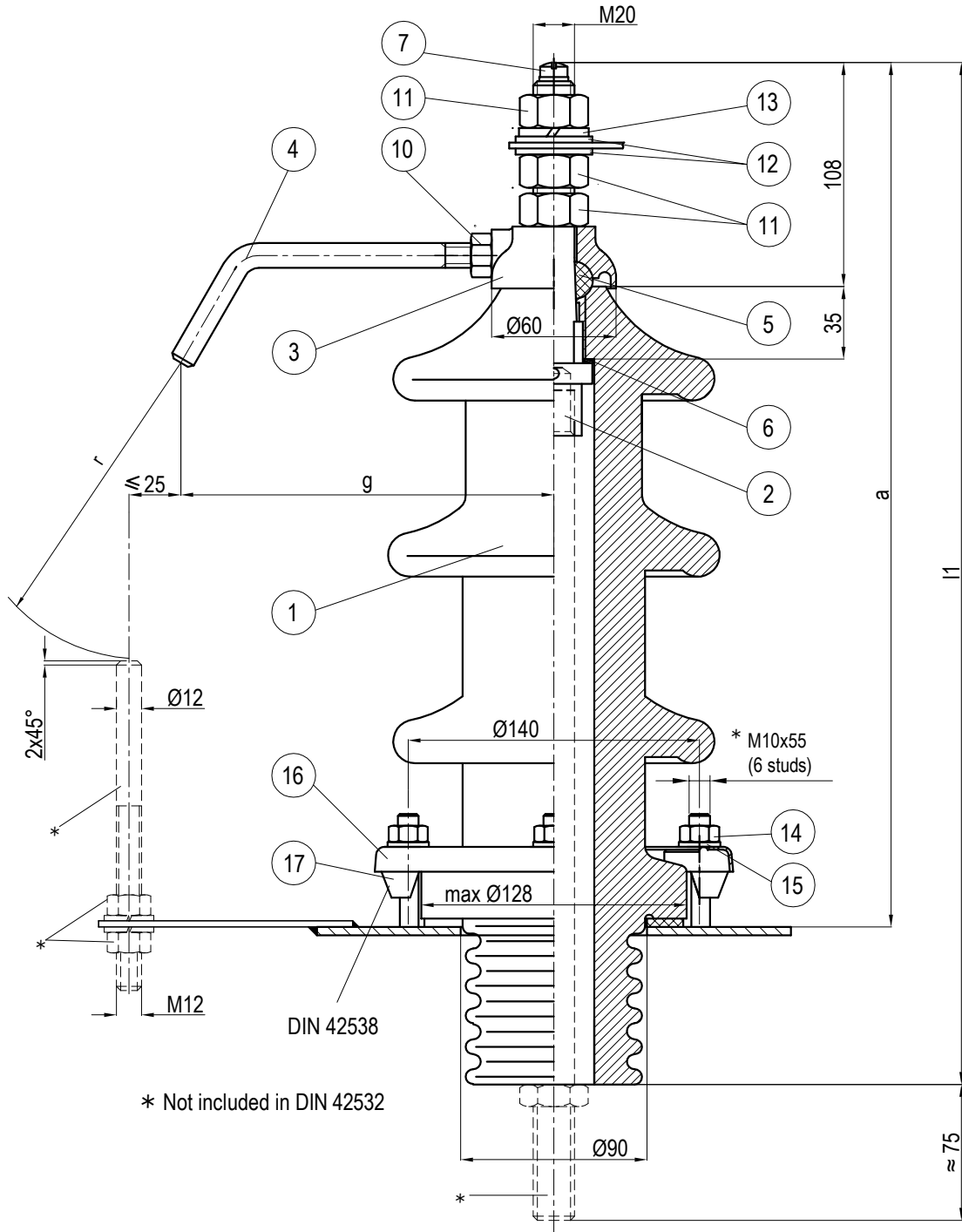
Type 20NF

Type 30 NF



Pos.	Qty.	Description
8	7	Steel Nut M8 ISO 4032
22	1	Steel "V" Bracket
23	1	Bottom Arcing Horn
26	2	Rubber Gasket
27	2	Half-Collar
28	2	Spring Washer DIN 127
29	1	Top Arcing Horn
30	2	Middle Arcing Horn
31	1	Bottom Arcing Horn

Type	Voltage	f	r
20/250	20NF	385	50
30/250-600-720-990-1260	30NF	485	
30/250-1320-1380-1650	30NF	485	



* Not included in DIN 42532

Type	Class		a	r	g	l1	⊗	# S
	Outdoor (f)	Indoor (i)						
10 Ni 630	-	10 N	292	85	165	353	170	2
10 Nf 630	10 N	-	342	85	180	403	305	2
20 Ni 630	-	20 N	342	155	165	403	305	2
20 Nf 630	20 N	-	417	155	180	493	440	3
30 Ni 630	-	30 N	417	220	165	493	440	3
30 Nf 630	30 N	-	522	220	200	618	662	4

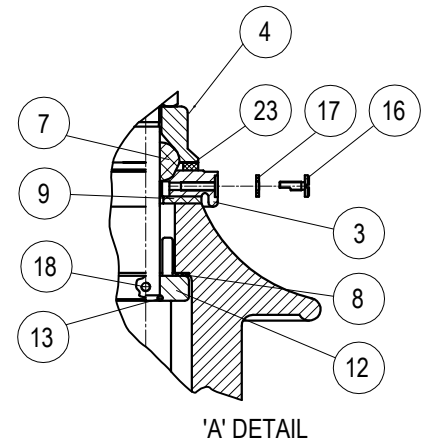
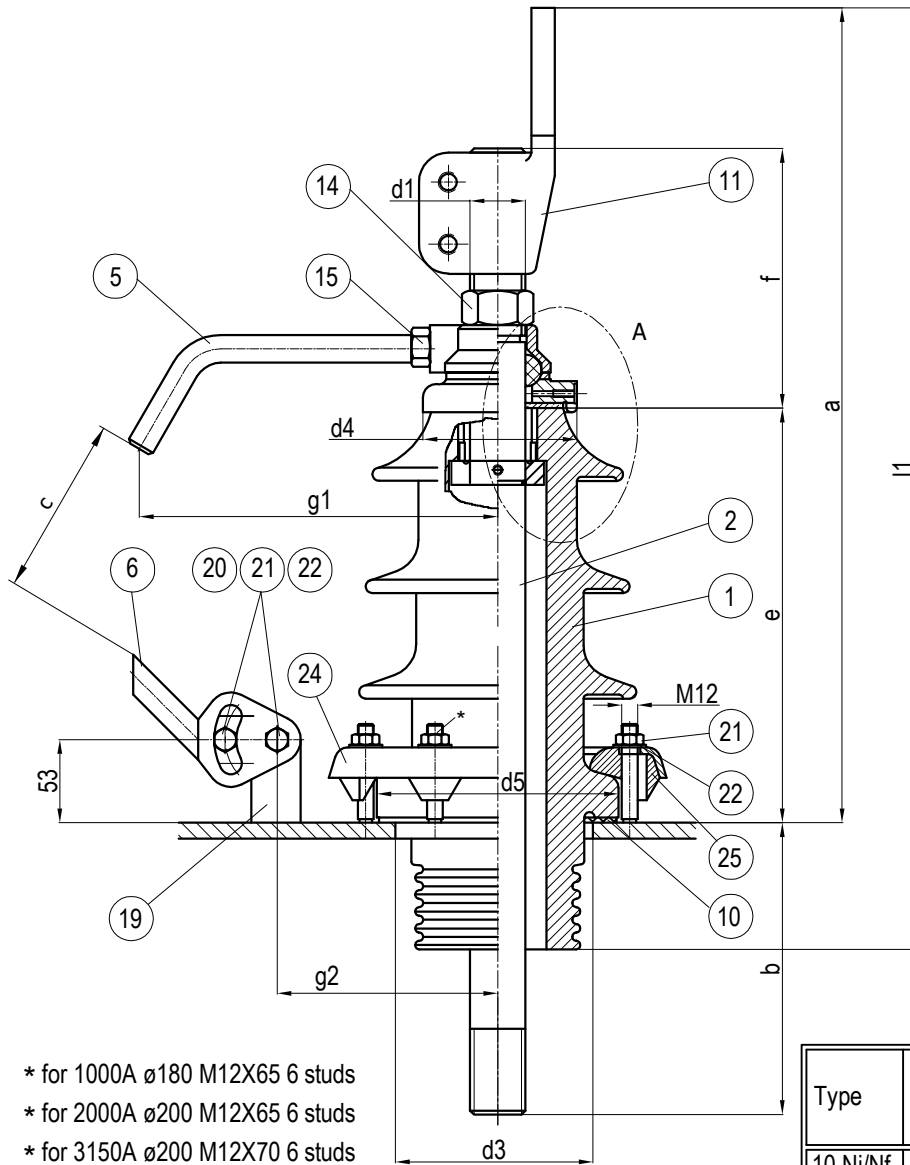
Type	Rated Voltage (kV)	Max. Voltage (kV)	Lightning Impulse (kV)	Power Frequency Withstand (kV)	
				Dry	Wet
10 Ni/Nf	10	12	75	30	28
20 Ni/Nf	20	24	125	55	50
30 Ni/Nf	30	36	170	77	70

⊗ : Creepage Distance (mm)
S : Number of Sheds

Pos.	Qty. for						Material Description	Designation
	Type 10Ni	Type 10Nf	Type 20Ni	Type 20Nf	Type 30Ni	Type 30Nf		
1	1	-	-	-	-	-	Porcelain	10 Ni DIN 42532
	1	1	1	-	-	-		10 Nf DIN 42532
	-	-	-	1	1	-		20 Nf DIN 42532
	-	-	-	-	-	1		30 Nf DIN 42532
2	1	1	1	1	1	1	Connection Bolt	"D1" DIN 42532
3	1	1	1	1	1	1	Brass Cap	"E" DIN 42532
4	1	-	1	-	1	-	Top Arcing Horn	K1 DIN 42532
	-	1	-	1	-	-		K2 DIN 42532
	-	-	-	-	-	1		K3 DIN 42532
5	1	1	1	1	1	1	Ring Gasket	"J" DIN 42532
6	1	1	1	1	1	1	Internal Gasket	"O" DIN 42532
7	1	1	1	1	1	1	"T" Bolt	"T" DIN 42532
8	1	1	1	1	1	1	Flange Gasket	"F" DIN 42532
9	1	1	1	1	1	1	Flange Gasket	"N" 3150 DIN 42530
10	1	1	1	1	1	1	Steel Nut	M12 ISO 4032-5
11	3	3	3	3	3	3	Brass Nut	M20 ISO 4032-Ms
12	2	2	2	2	2	2	Brass Washer	21 DIN 125-Ms
13	1	1	1	1	1	1	Spring Washer	21 DIN 127-St
14	6	6	6	6	6	6	Steel Nut	M10 ISO 4032-5
15	6	6	6	6	6	6	Steel Washer	10,5 DIN 125-St
16	1	1	1	1	1	1	Fixing Ring	"B" DIN 42538
17	6	6	6	6	6	6	Alu-Clamping	"E" DIN 42538

ORDERING SYSTEM

- 1) When ordering, products should be described according to DIN Norm designation.
Example: 20kV, 250A, outdoor type high voltage bushing designation is DT 20 NF DIN 42532
- 2) In addition to the above designation, the following component options should be indicated by the customer;
 - Gasket materials (Cork, Organic Fiber, NBR rubber, Presspaper)
 - Steel parts (Stainless Steel, Metal plated)
 - Additional requirements not included in DIN Norm (Bottom-arcing horn and related fixing parts, additional welded extension stud)
 - Additional plating of brass and copper parts (Tin, Silver)
 - Main connection bolt (D-Bolt) material (Brass, Copper)
 - Diameter of the bottom hole of the main bolt
- 3) If the above options are not indicated by the customer, the product DIN 42532 will be supplied with the following standard properties;
 - Cork gaskets
 - Steel parts are zinc plated
 - Without bottom-arcing horn and related fixing parts and without welded extension stud
 - Copper main bolt
 - Bottom hole diameter of the main bolt is M20



* for 1000A ø180 M12X65 6 studs
* for 2000A ø200 M12X65 6 studs
* for 3150A ø200 M12X70 6 studs

Type	Rated Voltage (kV)	Max. Voltage (kV)	Lightning Impulse (kV)	Power Frequency Withstand (kV)	
				Dry	Wet
10 Ni/Nf	10	12	75	30	28
20 Ni/Nf	20	24	125	55	50
30 Ni/Nf	30	36	170	77	70

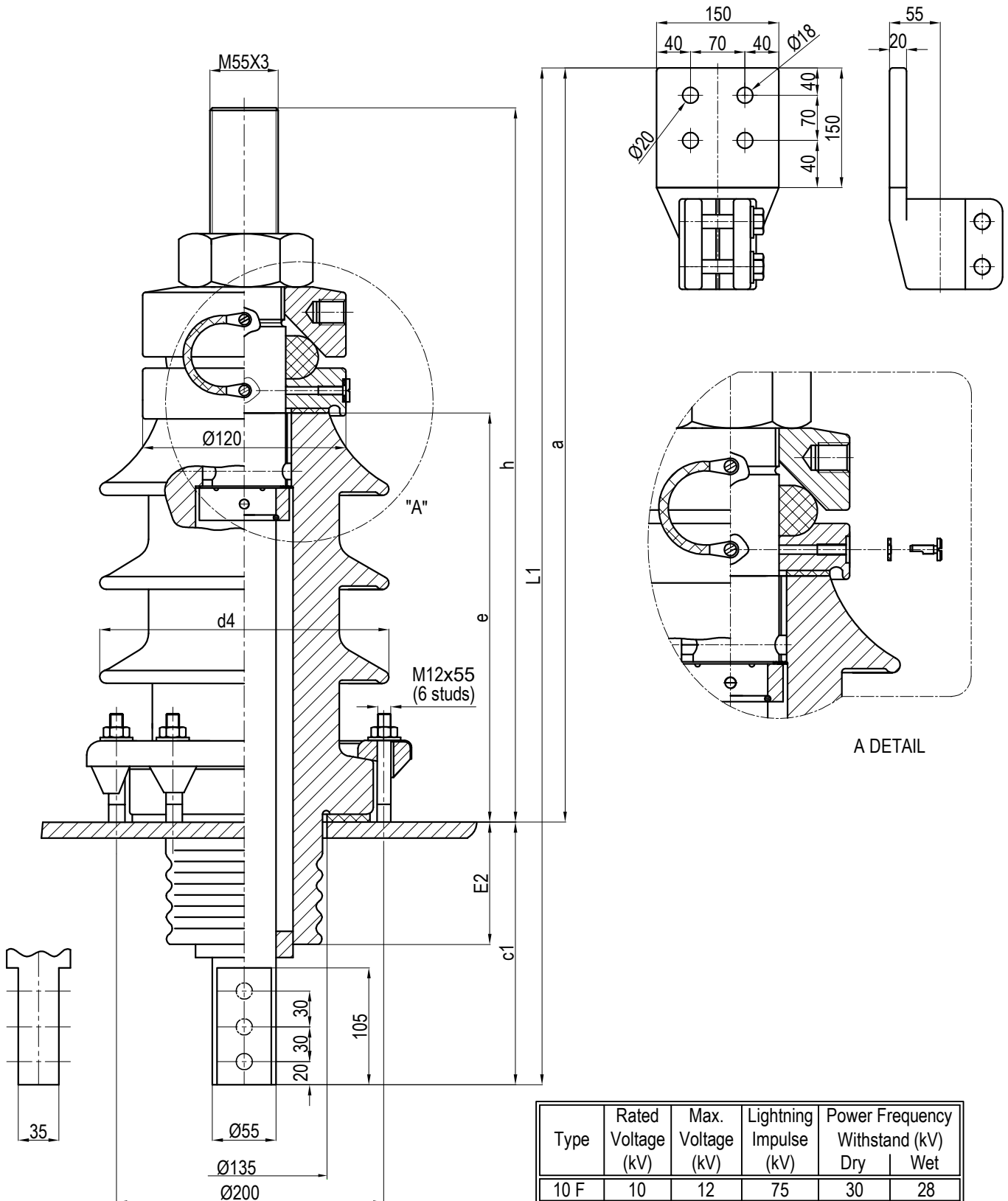
⊗: Creepage Distance (mm) # S : Number of Sheds

Type	Current A	Class		a	b	c	d1	d3	d4	d5	e	f	g1	g2	l1	⊗	# S
		Outdoor (f)	Indoor (i)														
10 Nf 1000	1000	10N	-	455	158	85	M 30x2	110	100	163	239	148	225	138	541	295	2
20 Ni 1000		-	20N	455	158	155	M 30x2	110	100	163	239	148	205	138	541	295	2
20 Nf 1000		20N	-	530	168		M 30x2	110	100	163	314	148	225	138	626	445	3
30 Ni 1000		-	30N	530	168	220	M 30x2	110	100	163	314	148	205	138	626	445	3
30 Nf 1000		30N	-	635	198		M 30x2	110	100	163	419	148	285	138	756	635	4
10 Nf 2000	2000	10N	-	530	158	85	M 42x3	135	120	183	239	178	230	148	616	295	2
20 Ni 2000		-	20N	530	158	155	M 42x3	135	120	183	239	178	210	148	616	295	2
20 Nf 2000		20N	-	605	168		M 42x3	135	120	183	314	178	230	148	701	445	3
30 Ni 2000		-	30N	605	168	220	M 42x3	135	120	183	314	178	210	148	701	445	3
30 Nf 2000		30N	-	710	198		M 42x3	135	120	183	419	178	290	148	831	680	4
10 Nf 3150	3150	10N	-	560	158	85	M 48x3	135	120	183	239	183	235	148	646	295	2
20 Ni 3150		-	20N	560	158	155	M 48x3	135	120	183	239	183	215	148	646	295	2
20 Nf 3150		20N	-	635	168		M 48x3	135	120	183	314	183	235	148	731	445	3
30 Ni 3150		-	30N	635	168	220	M 48x3	135	120	183	314	183	215	148	731	445	3
30 Nf 3150		30N	-	740	198		M 48x3	135	120	183	419	183	295	148	861	680	4

Pos.	Qty. for					Material Description	Designation
	Type 10Nf	Type 20Ni	Type 20Nf	Type 30Ni	Type 30Nf		
1	1	1	-	-	-	Porcelain	10 Nf 1000 DIN 42533
	-	-	1	1	-		20 Nf 1000 DIN 42533
	-	-	-	-	1		30 Nf 1000 DIN 42533
2	1	1	1	1	1	Connection Bolt	"D" 1000 DIN 42533
3	1	1	1	1	1	Brass Lower Cap	"E" 1000 DIN 42533
4	1	1	1	1	1	Brass Upper Cap	"F" 1000 DIN 42533
5	1	1	1	1	-	Arcing horn (Top)	"G10" DIN 42533
	-	-	-	-	1		"G30" DIN 42533
6	1	-	-	-	-	Arcing Horn (Bottom)	"H10" DIN 42533
	-	1	-	1	-		"H20 i" DIN 42533
	-	-	1	-	-		"H20 f" DIN 42533
	-	-	-	-	1		"H30" DIN 42533
7	1	1	1	1	1	Ring Gasket	"J" 1000 DIN 42533
8	1	1	1	1	1	Internal Gasket	"O" 1000 DIN 42533
9	1	1	1	1	1	Plain Gasket	"M" 1000 DIN 42533
10	1	1	1	1	1	Flange Gasket	"N" 1000 DIN 42533
11	1	1	1	1	1	Flag	"BP 30" DIN 43675
12	1	1	1	1	1	Presring	"P" 1000 DIN 42533
13	1	1	1	1	1	"S" Ring	"S" 1000 DIN 42533
14	1	1	1	1	1	Brass Nut	M30x2 ISO 4032-Ms
15	1	1	1	1	1	Steel Nut	M20 ISO 4032-m5
16	1	1	1	1	1	"R" Bolt	"R" DIN 42533
17	1	1	1	1	1	Washer	6.4 DIN 125-It
18	2	2	2	2	2	Setscrew	M8x15 DIN 553
19	1	1	1	1	1	"T" Support	"T" DIN 42533
20	2	2	2	2	2	Bolt	M12x30 ISO 4017-m 5.8
21	8	8	8	8	8	Nut	M12 ISO 4032-m5
22	8	8	8	8	8	Spring Washer	"B12" DIN 127
23	1	1	1	1	1	Contact Washer	"U" 1000 DIN 42533
24	8	8	8	8	8	Fixing Ring	"C" DIN 42538
25	6	6	6	6	6	Alu-Clamping	"F" DIN 42538

Pos.	Qty. for					Material Description	Designation
	Type 10Nf	Type 20Ni	Type 20Nf	Type 30Ni	Type 30Nf		
1	1	1	-	-	-	Porcelain	10 Nf 3150 DIN 42533
	-	-	1	1	-		20 Nf 3150 DIN 42533
	-	-	-	-	1		30 Nf 3150 DIN 42533
2	1	1	1	1	1	Connection Bolt	"D" 2000 DIN 42533
3	1	1	1	1	1	Brass Lower Cap	"E" 2000 DIN 42533
4	1	1	1	1	1	Brass Upper Cap	"F" 2000 DIN 42533
5	1	1	1	1	-	Arcing Horn (Top)	"G10" DIN 42533
	-	-	-	-	1		"G30" DIN 42533
6	1	-	-	-	-	Arcing Horn (Bottom)	"H10" DIN 42533
	-	1	-	1	-		"H20 i" DIN 42533
	-	-	1	-	-		"H20 f" DIN 42533
	-	-	-	-	1		"H30" DIN 42533
7	1	1	1	1	1	Ring Gasket	"J" 2000 DIN 42533
8	1	1	1	1	1	Internal Gasket	"O" 2000 DIN 42533
9	1	1	1	1	1	Plain Gasket	"M" 3150 DIN 42533
10	1	1	1	1	1	Flange Gasket	"N" 3150 DIN 42533
11	1	1	1	1	1	Flag (Brass)	"CP-M42x3" DIN 43675
12	1	1	1	1	1	Presring	"P" 2000 DIN 42533
13	1	1	1	1	1	"S" Ring	"S" 2000 DIN 42533
14	1	1	1	1	1	Brass Nut	M42x3 ISO 4032-Ms
15	1	1	1	1	1	Steel Nut	M20 ISO 4032-m5
16	1	1	1	1	1	"R" bolt	"R" DIN 42533
17	1	1	1	1	1	Washer	6.4 DIN 125-It
18	2	2	2	2	2	Setscrew	M8x15 DIN 553
19	1	1	1	1	1	"T" Support	"T" DIN 42533
20	2	2	2	2	2	Bolt	M12x30 ISO 4017-m 5.8
21	8	8	8	8	8	Nut	M12 ISO 4032-m5
22	8	8	8	8	8	Spring Washer	"B12" DIN 127
23	1	1	1	1	1	Contact Washer	"U" 2000 DIN 42533
24	1	1	1	1	1	Fixing Ring	"D" DIN 42538
25	6	6	6	6	6	Alu-Clamping	"F" DIN 42538

Pos.	Qty. for					Material Description	Designation
	Type 10Nf	Type 20Ni	Type 20Nf	Type 30Ni	Type 30Nf		
1	1	1	-	-	-	Porcelain	10 Nf 3150 DIN 42533
	-	-	1	1	-		20 Nf 3150 DIN 42533
	-	-	-	-	1		30 Nf 3150 DIN 42533
2	1	1	1	1	1	Connection Bolt	"D" 3150 DIN 42533
3	1	1	1	1	1	Brass Lower Cap	"E" 3150 DIN 42533
4	1	1	1	1	1	Brass Upper Cap	"F" 3150 DIN 42533
5	1	1	1	1	-	Arcing Horn (Top)	"G10" DIN 42533
	-	-	-	-	1		"G30" DIN 42533
6	1	-	-	-	-	Arcing Horn (Bottom)	"H10" DIN 42533
	-	1	-	1	-		"H20 i" DIN 42533
	-	-	1	-	-		"H20 f" DIN 42533
	-	-	-	-	1		"H30" DIN 42533
7	1	1	1	1	1	Ring Gasket	"J" 3150 DIN 42533
8	1	1	1	1	1	Internal Gasket	"O" 3150 DIN 42533
9	1	1	1	1	1	Plain Gasket	"M" 3150 DIN 42533
10	1	1	1	1	1	Flange Gasket	"N" 3150 DIN 42533
11	1	1	1	1	1	Flag (Brass or Copper)	"CP-M48x3" DIN 43675
12	1	1	1	1	1	Presring	"P" 3150 DIN 42533
13	1	1	1	1	1	"S" Ring	"S" 3150 DIN 42533
14	1	1	1	1	1	Brass Nut	M48x3 ISO 4032-Ms
15	1	1	1	1	1	Steel Nut	M20 ISO 4032-m5
16	1	1	1	1	1	"R" bolt	"R" DIN 42533
17	1	1	1	1	1	Washer	6.4 DIN 125-It
18	1	1	1	1	1	Setscrew	M8x15 DIN 553
19	1	1	1	1	1	"T" Support	"T" DIN 42533
20	2	2	2	2	2	Bolt	M12x30 ISO 4017-m 5.8
21	8	8	8	8	8	Nut	M12 ISO 4032-m5
22	8	8	8	8	8	Spring Washer	"B12" DIN 127
23	1	1	1	1	1	Contact Washer	"U" 3150 DIN 42533
24	1	1	1	1	1	Fixing Ring	"D" DIN 42538
25	6	6	6	6	6	Alu-Clamping	"F" DIN 42538



Type	Rated Voltage (kV)	Max. Voltage (kV)	Lightning Impulse (kV)	Power Frequency Withstand (kV)	
				Dry	Wet
10 F	10	12	75	30	28
20 F	20	24	125	55	50
30 F	30	36	170	77	70

Type	Voltage kV	Current A	Creepage distance	Number of Sheds	a mm	b1 mm	c1 mm	d4 mm	e mm	E2 mm	h mm	L1 mm	Weight kg	Volume dm ³
10F/4500	10	4500	295	2	600	215	210	190	239	86	449	810	39	100
20F/4500	20	4500	440	3	675	225	220	210	314	96	524	895	47	110
30F/4500	30	4500	680	4	780	250	245	230	419	121	629	1025	55	120

TE TAMAM ELEKTRİK



TAMAM Elektrik Sanayi ve Ticaret A.S.

Tepeoren ITOSB Mah. 9. Sokak No. 20, Tuzla - İstanbul / TÜRKİYE
Tel : +90 - 216 - 504 17 66 Fax : +90 - 216 - 515 64 18
Email : info@tamamelektrik.com.tr Website : www.tamamelektrik.com.tr